



▲ MDH-30

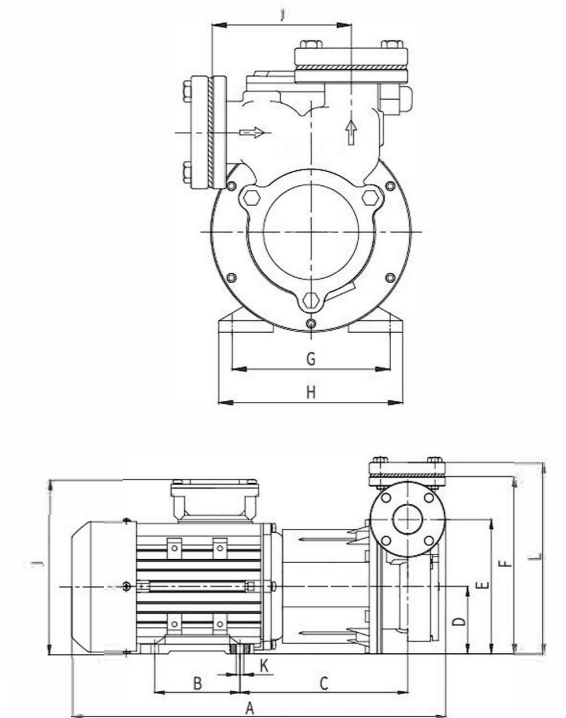
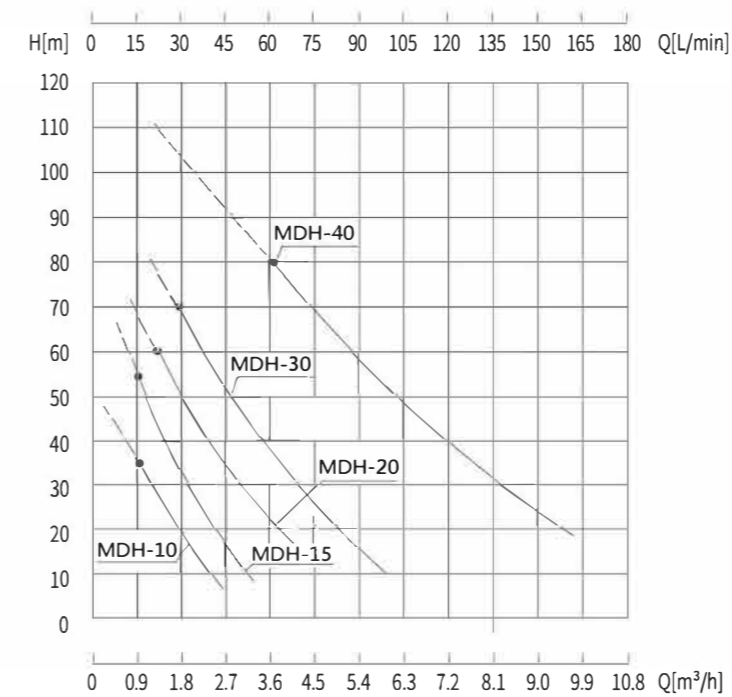
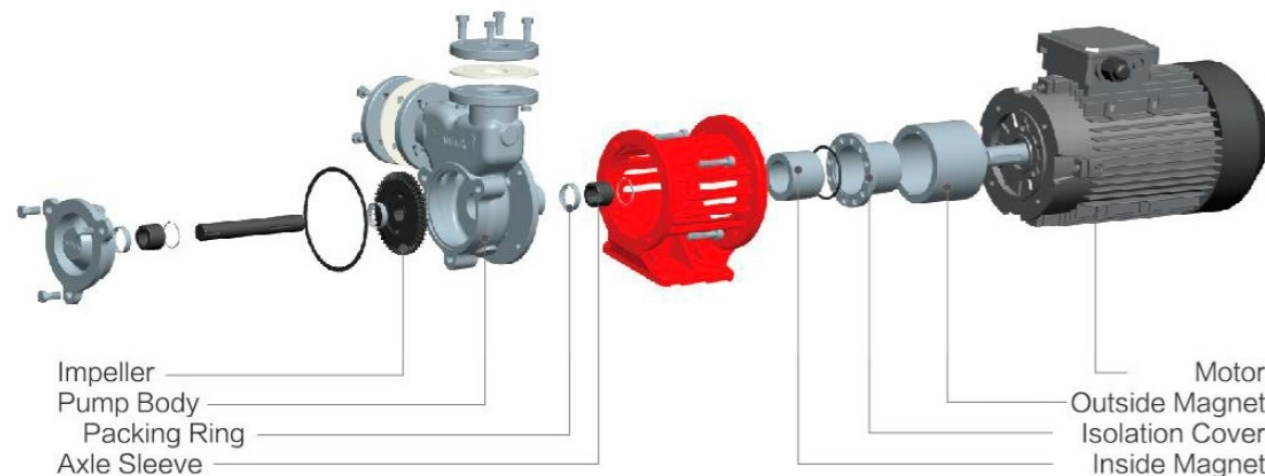
MDH

STAINLESS STEEL VORTEX MAGNETIC PUMP

MDH series magnetic drive high and low temperature vortex magnetic pump, its flow passage parts are made of stainless steel, it has a certain gas-liquid mixing function. MDH series magnetic pump is designed with no shaft seal and worked by magnetic drive, which converts dynamic seal into static seal to realize the safety and stability of the pump under cryogenic and high temperature conditions.

Application Area: High temperature mold temperature controlling, High and low temperature test instrument, Semiconductor precision temperature control, Chemical equipment, Template temperature controlling, Ultrasonic cleaning equipment, High end printing and dyeing equipment, TCU.

Circulation Medium: Water, ethylene glycol, alcohol, thermal oil, hydrocarbon solution, silicone oil, refrigerant gasoline, dyestuff, chemical solution and other liquids without particles and fibers.



Working Condition

Thermal Conductivity Water	Thermal Conductivity Oil Synthetic oil	Glycol/Silicone Oil	Working Temperature	Maximum Elevation	Maximum Working Pressure
+5°C~+200°C	-120°C~+350°C	-120°C~+180°C	-50°C~+70°C	5000m	20bar

Technical Parameter

Model	Diameter		Motor				Performance Parameter		Pump Weight (kg)	
	Inlet	Outlet	Power (KW)	(Hp)	Voltage (V)	Frequency (Hz)	Speed (r/min)	Max/Use Head (m)		Max Flow Rate (l/min)
MDH-10	DN25	DN20	0.75	1	3Ø-380	50	2760	55/35	50	16
MDH-15	DN25	DN20	1.1	1.5	3Ø-380	50	2760	80/55	65	18.5
MDH-20	DN40	DN32	1.5	2	3Ø-380	50	2760	90/60	90	26
MDH-30	DN40	DN32	2.2	3	3Ø-380	50	2760	100/70	120	29
MDH-40	DN50	DN40	3	4	3Ø-380	50	2900	120/80	160	37

The above characteristic testing is based on the water transferring with the normal speed under 20 degrees. character's error is about 10%. The pump characters change according to the difference of the liquid mediums' proportion and density.

Installation Size

Model	A	B	C	D	E	F	G	H	I	J	K	L
MDH-10	384	90	177	71	142	187	112	132	98	183	4-Ø8	202
MDH-15	395	90	177	71	142	187	112	132	98	183	4-Ø8	202
MDH-20	450	100	190	80	161	213	125	153	112	205	4-Ø10	228
MDH-30	503	105	196	90	171	223	140	180	112	225	4-Ø10	238
MDH-40	570	70	80	100	185	244	100	125	125	235	4-Ø12	259

MDH-40 "B" "G" "K"