



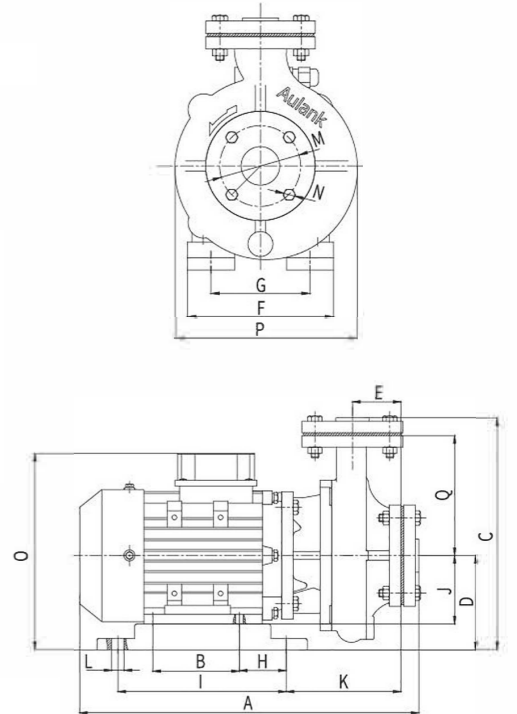
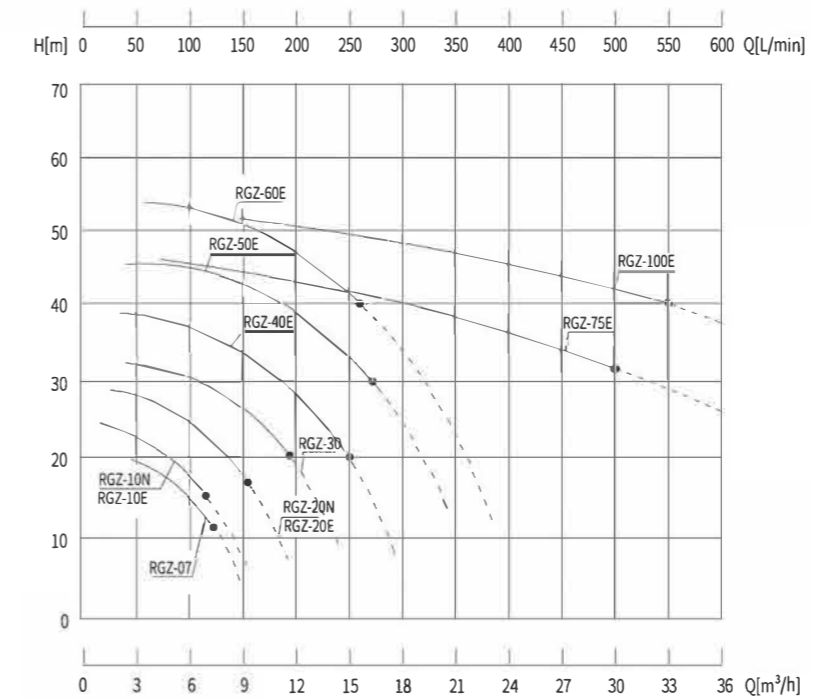
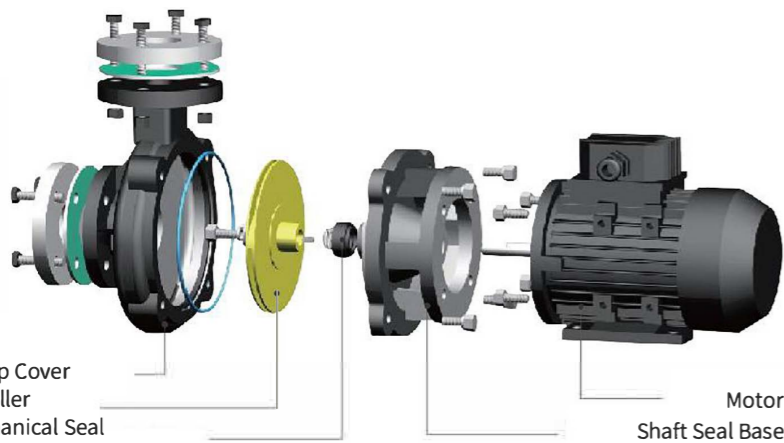
▲ RGZ-75E

# RGZ

## STAINLESS STEEL CENTRIFUGAL PUMP

**Application Area:** Mold temperature controlling, Roller temperature controlling, Reaction kettle, Hot-pressing equipment, Extruding equipment, Hot and cold switching system etc., Food processing equipment.

**Circulation Medium:** Water, ethylene glycol, alcohol, thermal oil, hydrocarbon solution, silicone oil, edible oil and other liquids without particles and fibers.



### Working Condition

Thermal Conductivity Water	Thermal Conductivity Oil	Ethylene glycol	Working Temperature	Maximum Elevation	Maximum Working Pressure
+5°C~+160°C	+5°C~+200°C	-30°C~+180°C	-5°C~+40°C	1000m	10bar

### Technical Parameter

Model	Diameter		Motor				Performance Parameter		Pump Weight (kg)	
	Inlet	Outlet	Power (KW)	(Hp)	Voltage (V)	Frequency (Hz)	Speed (r/min)	Max Head (m)		Max /Use Flow Rate (l/min)
RGZ-07	DN20	DN15	0.5	0.7	3ø-380	50	2760	22	150/120	15
RGZ-10N/RGZ-10E	DN32	DN25	0.75	1	3ø-380	50	2760	25	160/133	14
RGZ-20N/RGZ-20E	DN32	DN25	1.5	2	3ø-380	50	2760	30	200/150	18.5
RGZ-30	DN50	DN32	2.2	3	3ø-380	50	2760	36	240/188	33
RGZ-40E	DN50	DN32	3	4	3ø-380	50	2900	40	300/255	32
RGZ-50E	DN50	DN40	4	5	3ø-380	50	2900	45	367/267	55
RGZ-60E	DN50	DN40	4.5	6	3ø-380	50	2900	52	400/285	60
RGZ-75E	DN65	DN50	5.5	7.5	3ø-380	50	2900	45	750/500	63
RGZ-100E	DN65	DN50	7.5	10	3ø-380	50	2900	52	1000/535	65

The above characteristic testing is based on the water transferring with the normal speed under 20 degrees. character's error is about 10%. The pump characters change according to the difference of the liquid mediums' proportion and density.

The letter "E" means stainless steel pump body.

### Installation Size

Model	A	B	C	D	E	F	G	H	I	J	K	L	M	N	O	P	Q
RGZ-07	325	80	246	100	63	120	100	-	-	63	-	4-Ø8	Ø78	4-Ø10	175	230	130
RGZ-10N/RGZ-10E	350	90	240	98	50.5	132	87	48.5	175	71	117.5	4-Ø13	Ø78	4-Ø10	200	Ø180	125
RGZ-20N/RGZ-20E	385	100	250	107	50.5	153	108	36.5	175	80	130.5	4-Ø13	Ø78	4-Ø10	220	Ø180	125
RGZ-30	430	125	274	117	55	170	122	50	245	90	132	4-Ø12	Ø94	4-Ø12	235	Ø210	135
RGZ-40E	480	140	278	127	55	195	142	50	245	100	152	4-Ø12	Ø94	4-Ø12	303	Ø204	135
RGZ-50E/60E	507	140	340	139	77	220	172	50	245	112	191	4-Ø12	Ø120	4-Ø15	320	Ø256	183
RGZ-75E	610	140	315	-	99	250	215	-	-	132	196	4-Ø14	Ø120	4-Ø15	320	Ø275	166
RGZ-100E	610	140	315	-	99	250	215	-	-	132	196	4-Ø14	Ø120	4-Ø15	320	Ø275	166

The company reserves the right to change the technology, if there is any change without notice