



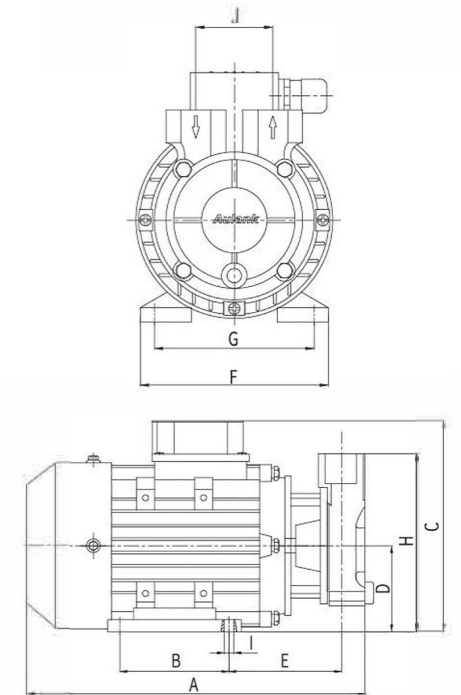
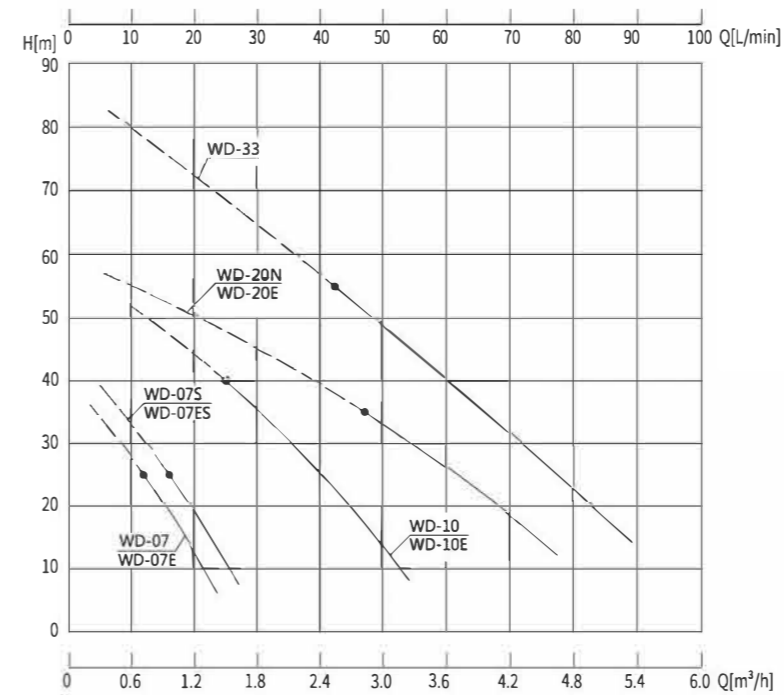
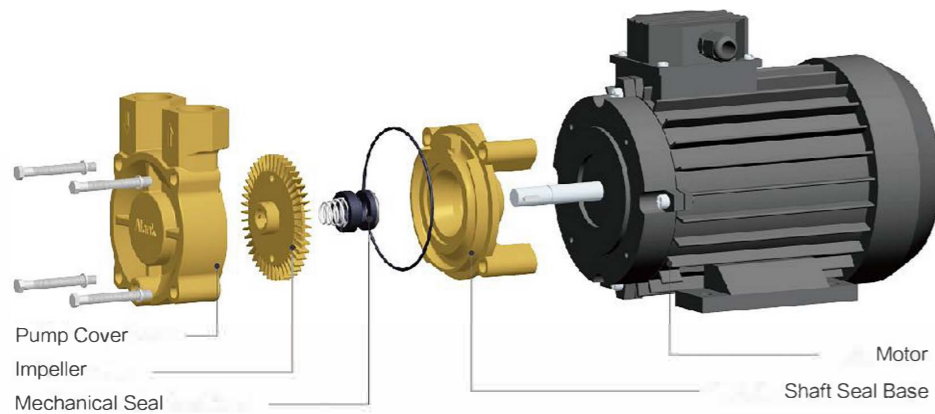
▲ **WD-20N**

WD

COPPER / STAINLESS STEEL VORTEX PUMP

Application Area: Mold temperature controlling, Medical sterilization, Reaction kettle, Steam generator, Welder cooling, Testing instrument, Boiler feed water, Hot water furnace, Food equipment.

Circulation Medium: Water, ethylene glycol, alcohol, thermal oil, hydrocarbon solution, silicone oil and other liquids without particles and fibers.



Working Condition

Thermal Conductivity Water	Thermal Conductivity Oil	Glycol/Silicone Oil	Working Temperature	Maximum Elevation	Maximum Working Pressure
+5°C~+160°C	+5°C~+200°C	-30°C~+180°C	-5°C~+40°C	1000m	10bar

Technical Parameter

Model	Diameter		Motor				Performance Parameter		Pump Weight (kg)	
	Inlet	Outlet	Power (KW)	(Hp)	Voltage (V)	Frequency (Hz)	Speed (r/min)	Max./Use Head (m)		Max Flow Rate (l/min)
WD-07	G1/2"	G1/2"	0.55	0.7	3Ø-380	50	2760	40/25	25	6.5
WD-07S	G1/2"	G1/2"	0.55	0.7	1Ø-220	50	2760	45/25	30	10
WD-07E	G1/2"	G1/2"	0.55	0.7	3Ø-380	50	2760	40/25	25	6
WD-07ES	G1/2"	G1/2"	0.55	0.7	1Ø-220	50	2760	45/25	30	9
WD-10	G3/4"	G3/4"	0.75	1	3Ø-380	50	2760	60/40	60	11
WD-10E	DN20	DN20	0.75	1	3Ø-380	50	2760	60/40	60	11
WD-20N	DN20	DN20	1.5	2	3Ø-380	50	2760	60/35	90	16
WD-20E	G3/4"	G3/4"	1.5	2	3Ø-380	50	2760	60/35	90	15
WD-33	DN25	DN25	2.5	3.3	3Ø-380	50	2760	85/55	108	26

The above characteristic testing is based on the water transferring with the normal speed under 20 degrees. character's error is about 10%. The pump characters change according to the difference of the liquid mediums' proportion and density.

The letter "E" means stainless steel pump body.

Installation Size

Model	A	B	C	D	E	F	G	H	I	J
WD-07	237	80	160	63	75	125	100	119	4-Ø8	35
WD-07S	265	90	175	71	83	132	112	127	4-Ø8	35
WD-07E	237	80	160	63	75	125	100	119	4-Ø8	35
WD-07ES	265	90	175	71	83	132	112	127	4-Ø8	35
WD-10	285	90	175	71	92	132	112	147	4-Ø8	55
WD-10E	293	90	175	71	90	132	112	148	4-Ø8	55
WD-20N	315	100	193	80	92.5	153	125	202	4-Ø10	55
WD-20E	315	100	193	80	92.5	153	125	202	4-Ø10	55
WD-33	400	125	210	90	138	170	140	223	4-Ø10	60

The company reserves the right to change the technology, if there is any change without notice