



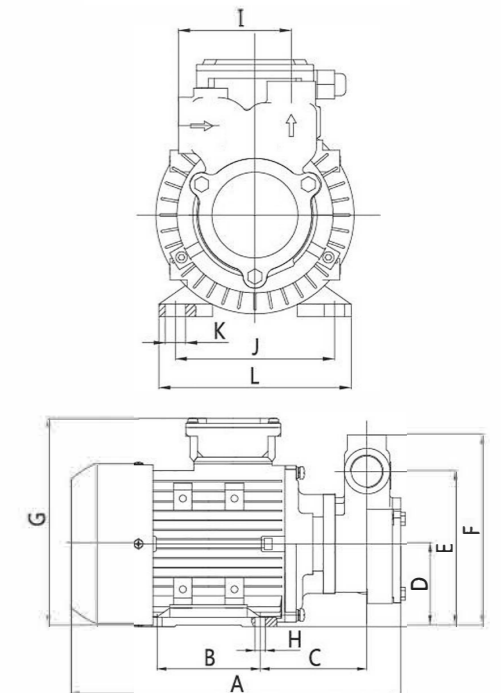
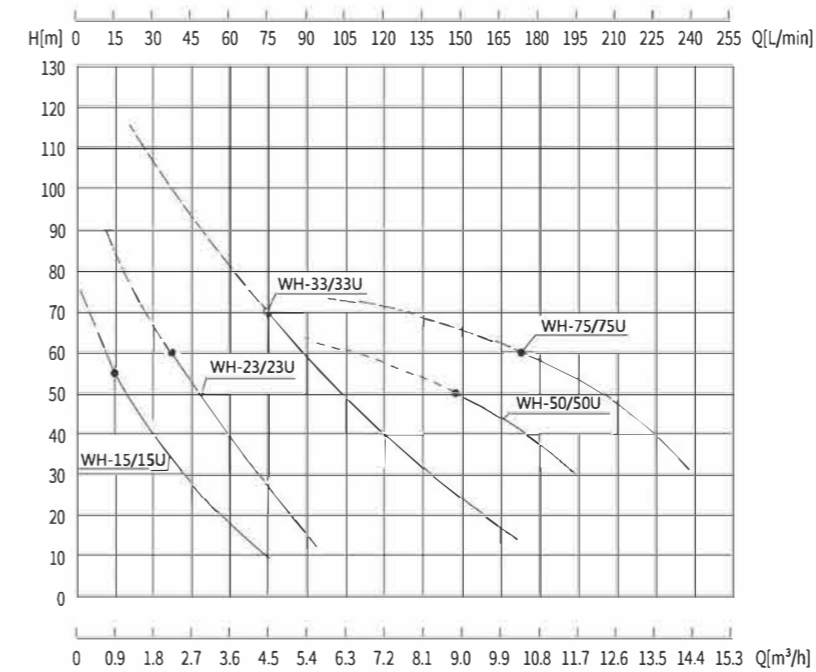
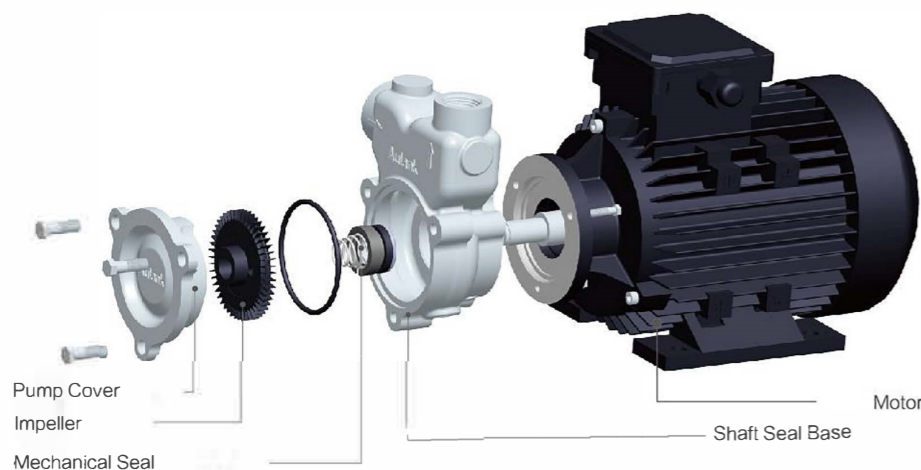
▲ WH-75

# WH

## STAINLESS STEEL VORTEX PUMP

**Application Area:** Mold temperature controlling unite, Boiler feed water, Ultrasonic cleaning, Food machine, Ozone generator, High&low temperature detection.

**Circulation Medium:** Circulation Medium: Water, Ethylene glycol, Alcohol, Heat transfer oil, hydrocarbon solution, silicone oil, cooking oil and other liquids without particles and fibers.



### Working Condition

Thermal Conductivity Water	Thermal Conductivity Oil	Glycol/Silicone Oil	Working Temperature	Maximum Elevation	Maximum Working Pressure
+5°C~+160°C	+5°C~+200°C	-30°C~+180°C	-5°C~+40°C	1000m	10bar

### Technical Parameter

Model	Diameter		Motor				Performance Parameter		Pump Weight (kg)	
	Inlet	Outlet	Power (KW)	(Hp)	Voltage (V)	Frequency (Hz)	Speed (r/min)	Max /Use Head (m)		Max Flow Rate (l/min)
WH-15/WH-15U	G1"	G3/4"	1.1	1.5	3Ø-380	50	2760	80/55	65	15.5
WH-23/WH-23U	G1.2"	G1"	1.7	2.3	3Ø-380	50	2760	100/60	120	20
WH-33/WH-33U	G1.5"	G1.2"	2.5	3.3	3Ø-380	50	2760	120/70	160	25.5
WH-50/WH-50U	G2"	G1.5"	4	5	3Ø-380	50	2900	70/50	220	40
WH-75/WH-75U	G2"	G1.5"	5.5	7.5	3Ø-380	50	2900	80/60	250	42

The above characteristic testing is based on the water transferring with the normal speed under 20 degrees. character's error is about 10%. The pump characters change according to the difference of the liquid mediums' proportion and density.

The letter "U" means brass impeller.

### Installation Size

Model	A	B	C	D	E	F	G	H	I	J	K	L
WH-15/WH-15U	320	100	103	80	150	185	202	4-Ø10	88	125	16	153
WH-23/WH-23U	408	100	118	90	171	210	225	4-Ø10	99.5	140	16	180
WH-33/WH-33U	415	100	120	90	175	221	225	4-Ø10	115	140	16	180
WH-50/WH-50U	525	140	150	100	200	257	250	4-Ø12	125	160	16	200
WH-75/WH-75U	525	140	150	100	200	257	250	4-Ø12	125	160	16	200