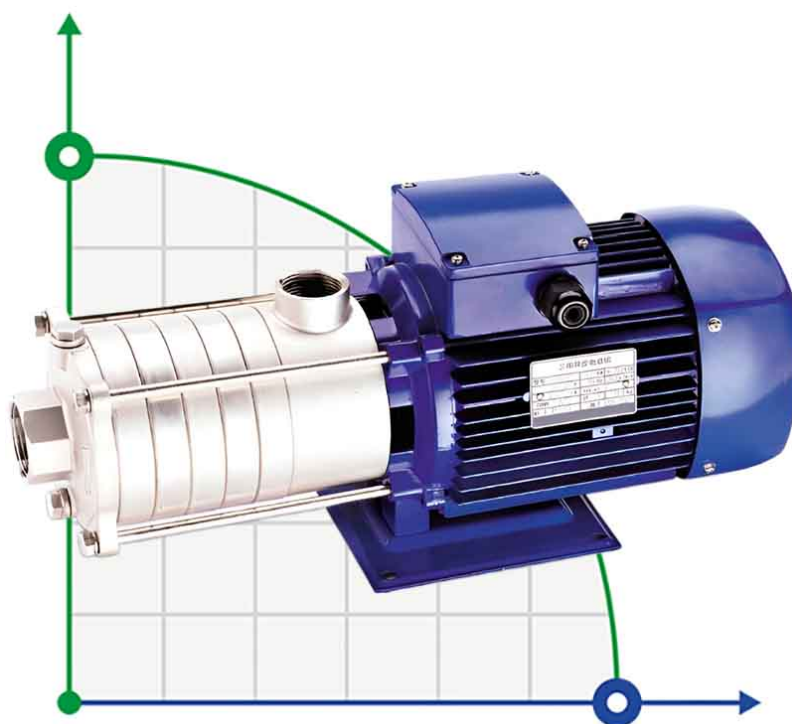


<https://prom-nasos.pro>
<https://bts.net.ua>
<https://prom-nasos.com.ua>
+38 095 656-37-57,
+38 067 360-71-01,
+38 063 362-12-31,
info@prom-nasos.pro



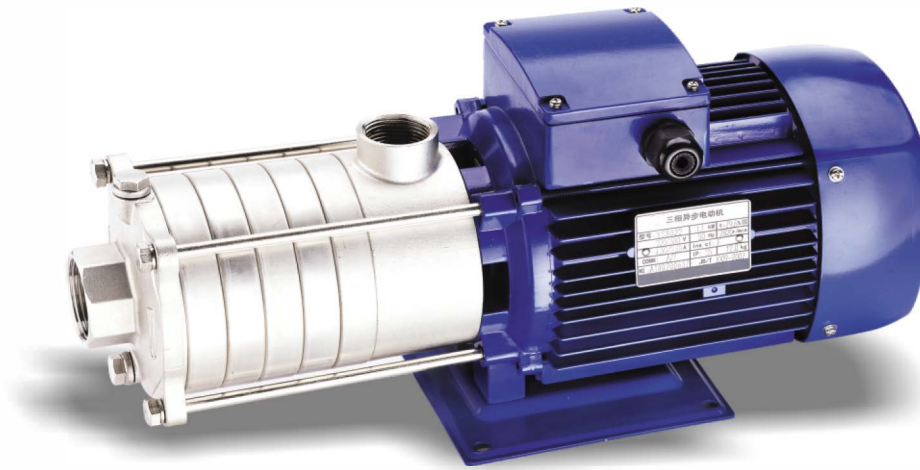
Catalog DW(S) series

**horizontal multi-stage
stainless steel pumps**

<https://bts.net.ua>

Type DW(S)

Horizontal multi-stage stainless steel pumps



Performance Data

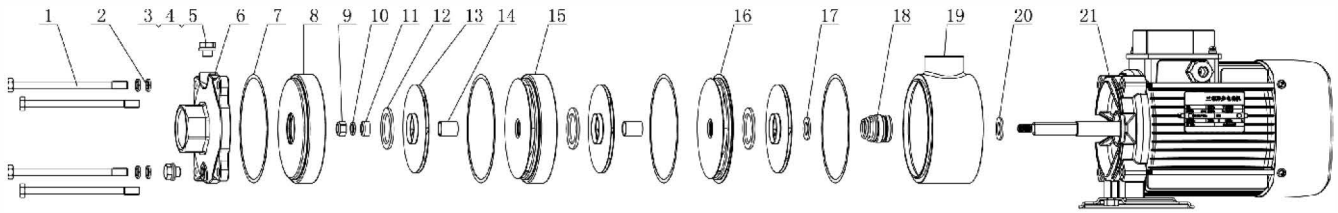
2900rpm

Model		power		Capacity										
				m ³ /h	0	0.4	0.6	0.8	1.0	1.2	1.4	1.6	2.0	2.5
single phase 220V/50Hz	three phase 380V/50Hz	kW	HP	l/min	0	6.7	10	13.3	16.7	20	23.3	26.7	33.3	41.7
				Head (m)										
DW(S)1-20/037D	DW(S)1-20/037	0.37	0.5		17.5	16.5	16	15.5	14.5	13.5	12.5	11.5	9.5	5.5
DW(S)1-30/037D	DW(S)1-30/037	0.37	0.5		26.5	25	24	23	22	20.5	19	18	15	9
DW(S)1-40/037D	DW(S)1-40/037	0.37	0.5		35	33.5	32	30.5	29	27.5	25.5	23.5	19	12
DW(S)1-50/037D	DW(S)1-50/037	0.37	0.5		44	41.5	40	38.5	36.5	34	31.5	29	23	15
DW(S)1-60/045D	DW(S)1-60/045	0.45	0.6		53	50	48	46	43.5	41	38	35	29	18

Model		power		Capacity									
				m ³ /h	0	1	1.5	2	2.5	3	3.5	4	4.2
single phase 220V/50Hz	three phase 380V/50Hz	kW	HP	l/min	0	16.7	25	33.3	41.7	50	58.3	66.7	70
				Head (m)									
DW(S)3-20/037D	DW(S)3-20/037	0.37	0.50		19	18	17	16	15.5	14	12	10	9
DW(S)3-30/037D	DW(S)3-30/037	0.37	0.50		28	27	26	25	23	21	18	15	13
DW(S)3-40/045D	DW(S)3-40/045	0.45	0.60		38	36	34	33	31	28	23.5	19	17
DW(S)3-50/055D	DW(S)3-50/055	0.55	0.75		48	45	43	41	39	35	30	24	21
DW(S)3-60/075D	DW(S)3-60/075	0.75	1.0		58	54	52	49	47	42	36	29	25

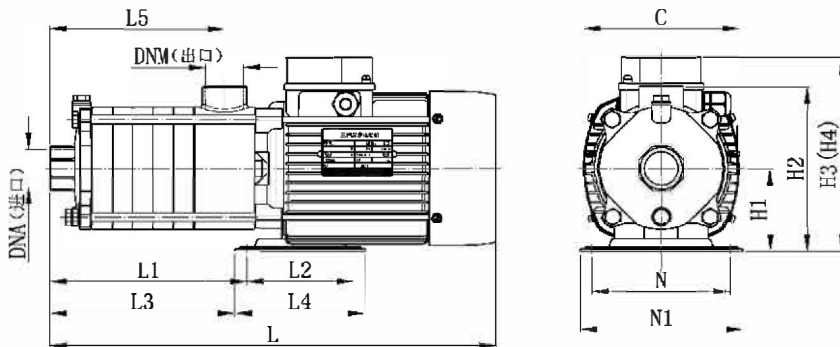
Model		power		Capacity										
				m ³ /h	0	1	2	3	4	4.5	5	5.5	6	6.5
single phase 220V/50Hz	three phase 380V/50Hz	kW	HP	l/min	0	16.7	33.3	50	66.7	75	83.3	91.7	100	108
				Head (m)										
DW(S)5-20/045D	DW(S)5-20/045	0.45	0.6		19	18	17.5	17	16	15	14	13	11	10
DW(S)5-30/075D	DW(S)5-30/075	0.75	1.0		28	27	26	25	24	22	21	20	17	15
DW(S)5-40/090D	DW(S)5-40/090	0.90	1.2		38	36	35	33	32	29	28	26	23	20
DW(S)5-50/110D	DW(S)5-50/110	1.10	1.5		48	45	44	42	40	39	35	33	29	25
DW(S)5-60/150D	DW(S)5-60/150	1.50	2.0		58	54	53	51	48	47	43	40	35	30

Part List



No	Part Name	No	Part Name	No	Part Name	No	Part Name	No	Part Name
1	Tension Bar	6	Suction	11	Shaft sleeve I	16	Diffuser assembly	21	Motor
2	Spring washer	7	Gasket	12	Neck ring	17	Mech. Seal plate		
3	Priming/Drain bolt	8	Diffuser assembly I	13	Impeller	18	Mechanical seal		
4	"L" Washer	9	Impeller nut	14	Shaft sleeve II	19	Discharge		
5	O ring	10	Spring washer	15	Diffuser assembly II	20	"v" Slinger		

Outline Dimension



Model		Dimensions(mm)														Weight (kg)	
		C	H1	H2	H3	H4	L	L1	L2	L3	L4	L5	N	N1	DNA		DNM
DW(S)1-20/037D	DW(S)1-20/037	122	75	149	169	168	310	105	96	94	118	85	125	147	G1	G1	7.5
DW(S)1-30/037D	DW(S)1-30/037	122	75	149	169	168	328	123	96	112	118	103	125	147	G1	G1	8.0
DW(S)1-40/037D	DW(S)1-40/037	122	75	149	169	168	346	141	96	130	118	121	125	147	G1	G1	8.2
DW(S)1-50/037D	DW(S)1-50/037	122	75	149	169	168	364	159	96	148	118	139	125	147	G1	G1	8.5
DW(S)1-60/045D	DW(S)1-60/045	122	75	149	169	168	382	177	96	166	118	157	125	147	G1	G1	9.0
DW(S)3-20/037D	DW(S)3-20/037	122	75	149	169	168	310	105	96	94	118	85	125	147	G1	G1	7.5
DW(S)3-30/037D	DW(S)3-30/037	122	75	149	169	168	328	123	96	112	118	103	125	147	G1	G1	8.0
DW(S)3-40/045D	DW(S)3-40/045	122	75	149	169	168	346	141	96	130	118	121	125	147	G1	G1	8.5
DW(S)3-50/055D	DW(S)3-50/055	140	75	149	178	177	384	159	96	148	118	139	125	147	G1	G1	10
DW(S)3-60/075D	DW(S)3-60/075	140	75	149	178	177	402	177	96	166	118	157	125	147	G1	G1	11
DW(S)5-20/045D	DW(S)5-20/045	122	75	149	169	168	310	105	96	94	118	85	125	147	G1 1/4	G1	8
DW(S)5-30/075D	DW(S)5-30/075	140	75	149	178	177	348	123	96	112	118	103	125	147	G1 1/4	G1	10
DW(S)5-40/090D	DW(S)5-40/090	140	75	149	178	177	366	141	96	130	118	121	125	147	G1 1/4	G1	11
DW(S)5-50/110D	DW(S)5-50/110	158	90	164	230	200	412	159	125	148	147	139	140	162	G1 1/4	G1	13.5
DW(S)5-60/150D	DW(S)5-60/150	158	90	164	230	200	430	177	125	166	147	157	140	162	G1 1/4	G1	16.5

H3 for motors on single phase, H4 for motors on three phase