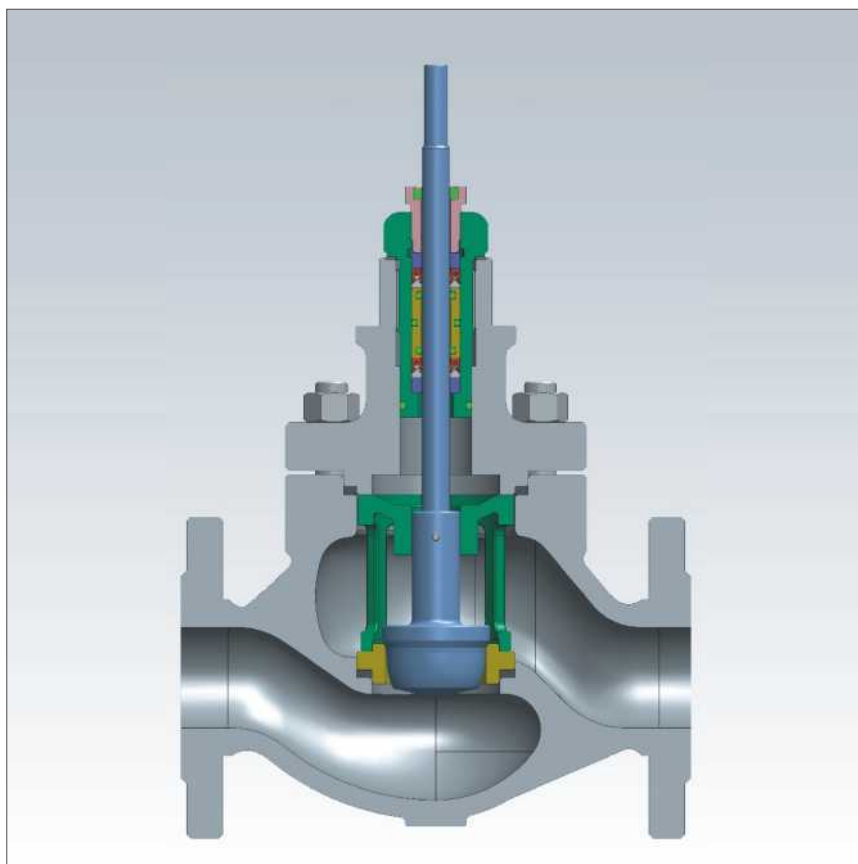


linear motion control valve

<https://prom-nasos.pro>
<https://bts.net.ua>
<https://prom-nasos.com.ua>
+38 095 656-37-57,
+38 067 360-71-01,
+38 063 362-12-31,
info@prom-nasos.pro

► 10P Series control valve



▲ Outline

The 10P Series single-seat control valve adopts the top guided unbalanced structure, featured by high strength, heavy load, S type flow channel, low pressure drop loss, high flow coefficient, wide adjustable range, high flow characteristic precision, etc.

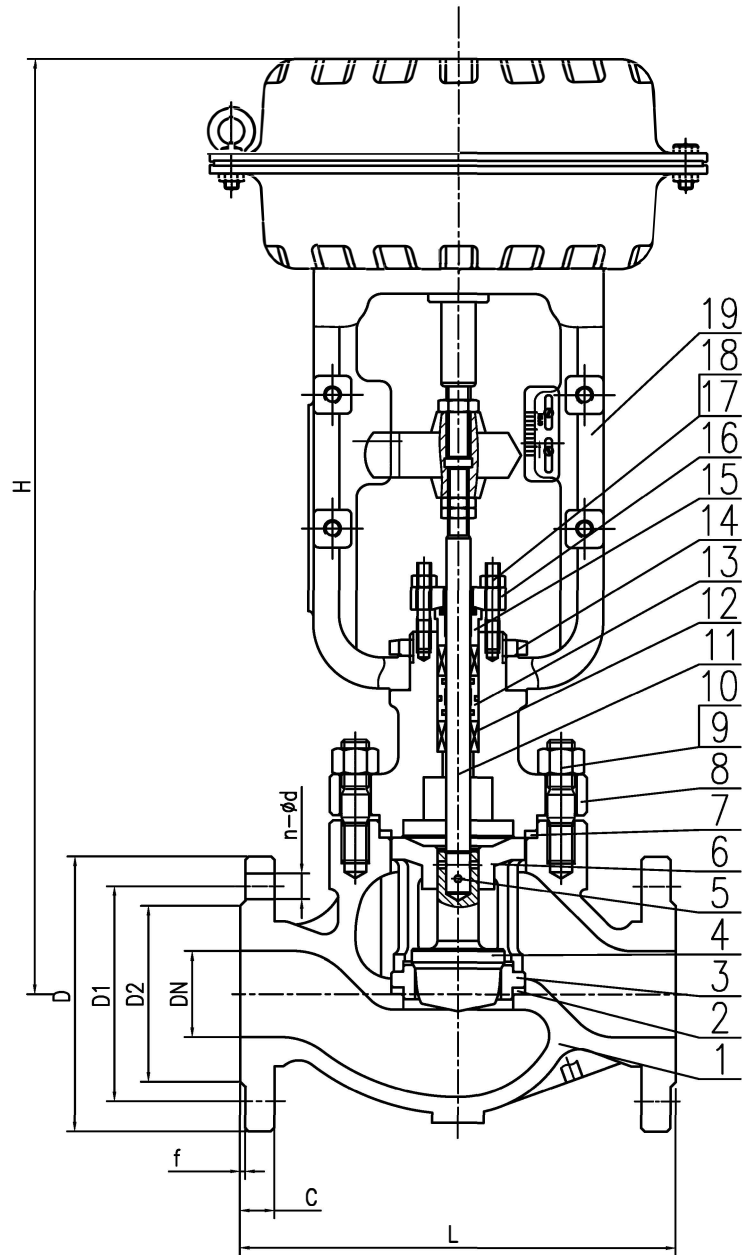
This kind of control valve is suitable for applications with relatively low differential pressure with tight shut-off. It is suitable for controlling medium flow or pressure. The cage adopts the press-in type seat design, which solves the problems of difficult disassembly and high leakage of the traditional thread screw-in type seat and prolongs the service life. The flow to open design is adopted, and the medium flow direction tends to the opening direction of the valve with good controllability of small opening and low flow characteristic distortion. Special cages with noise reduction and anti-cavitation functions can be offered according to the requirements in different service conditions.

▲ Parameters of control valves:

Trim features:	Top guided, unbalanced trim, quick disassembly cage structure
Body type:	straight-through type, angle type.
Bonnet type:	standard type, heat dissipation type, cryogenic type, bellows
Flow characteristic:	equal percentage, linear, quick open
Shut-off class:	ASME B16.104 V (standard metal seat) ASME B16.104 VI (shut-off soft seat)
Pipe connection type:	flange type, butt welding type
Applicable temperature range:	-196°C – 570°C
Actuator type:	pneumatic diaphragm actuator pneumatic piston actuator Electric actuator



DN	DIMENTION (mm)							
	L	D	D1	D2	C	f	n- ϕ d	H
20	181	105	75	58	18	2	4- ϕ 14	678
25	184	115	85	68	18	2	4- ϕ 14	678



20				
19	ACTUATOR	1		
18	GLAND NUT	2	8	
17	GLAND BOL T	2	B8	
16	GLAND FLANGE	1	CF8	
15	GLAND	1	304	
14	LOCKNUT	1	CF8	
13	SPACER RING	1	304	
12	PACKING	1	PTFE	
11	STEM	1	304	
10	BONNET NUT	1S	8	
9	BONNET BOLT	1S	B8	
8	BONNET	1	CF8	
7	BONNET GASKET	1	SS304	
6	CAGE	1	304	
5	PIN	1	304	
4	PLUG	1	304	
3	SEAT	1	304	
2	SEA T GASKET	1	SS304	
1	BODY	1	CF8	
NO.	NAME OF PARTS	QTY	MATERIALS	SPECIFICATIONS
PERFORMAN SPECIFICATION	NOMINAL PRESSURE		1.0MPa	
	SHELL TEST		1.5MPa	
	PACKING TEST		1.1MPa	
	LEAKAGE TEST		0.35MPa	
	WORKING TEMPERATURE		-17°C~230°C	
	SUITABLE MEDIUM		W.D.G	
	FLOW CHARACTERISTIC			
	RATED CV			
RATED STR OKE				
TECHNICAL REQUIREMENTS	DESIGN STD.		GB/T 4213-2008	
	END CONNECTION		HG/T 20592-2009 RF	
	FACE TO FACE OR END TO END		MANUFACTURE'S	
	LEAKAGE STD.		GB/T 4213-2008-IV	
	MATERIAL STD.		GB/T 12230-2005	
PRESSURE-TEMPERATURE RATINGS		GB/T 12224-2005		
VAL VE TYPE		CUSTOMER		
VAL VE MODEL	10P11Y-10P	PROJECT		
TAG NO.		ENQUIRY		