



Every Day We are IN your life!

BTS
ENGINEERING

<https://prom-nasos.pro>

<https://bts.net.ua>

<https://prom-nasos.com.ua>

+38 095 656-37-57,

+38 067 360-71-01,

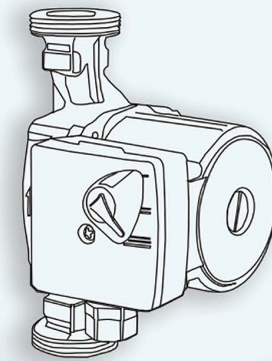
+38 063 362-12-31,

info@prom-nasos.pro



HRS

EAB

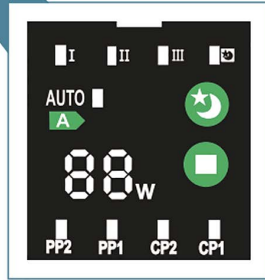


● **Booster Pump Series** ● **Circulating Pump Series** ● **Intelligent Pump Series** ●

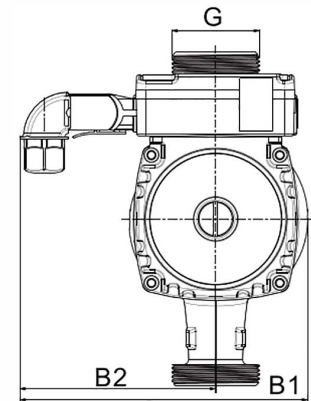
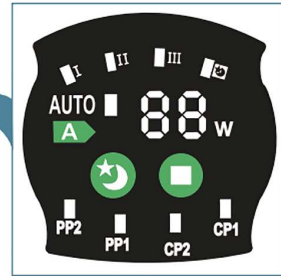
CE ISO 9001



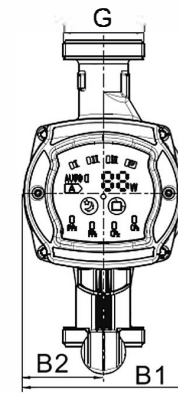
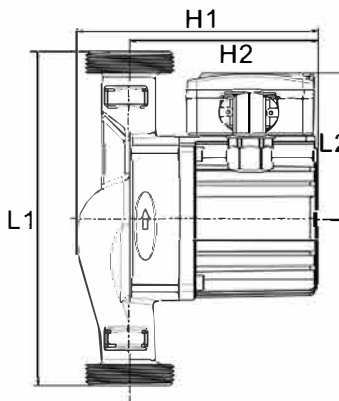
EA Series



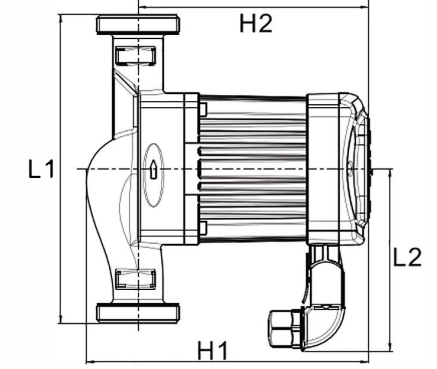
EAB Series



HRS15/4EA



HRS15/4EAB

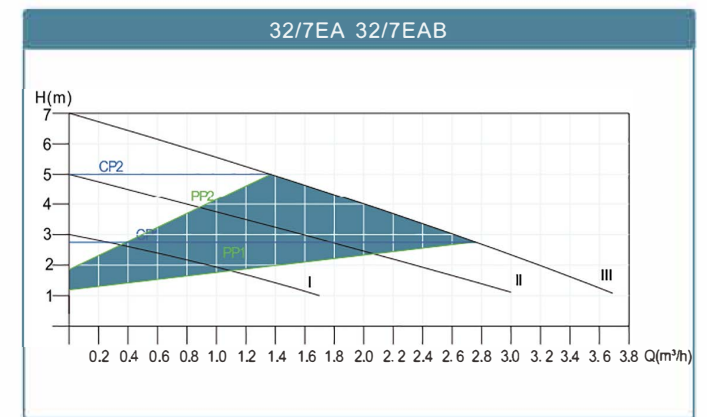
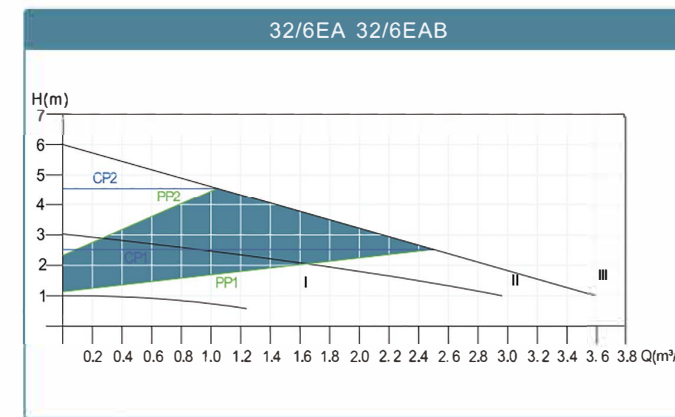
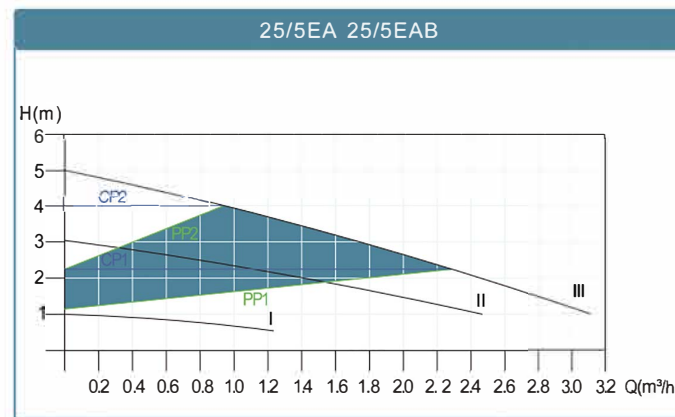
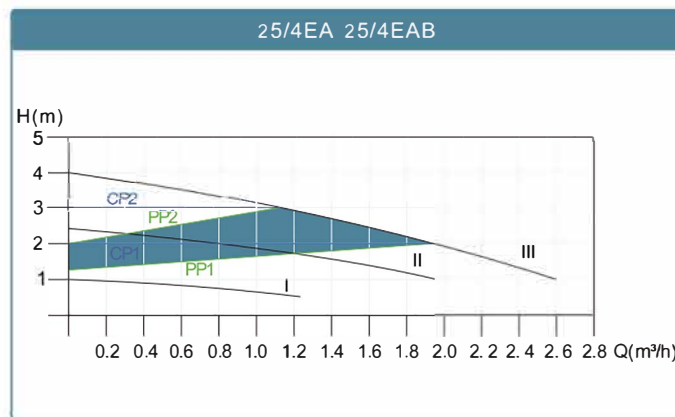
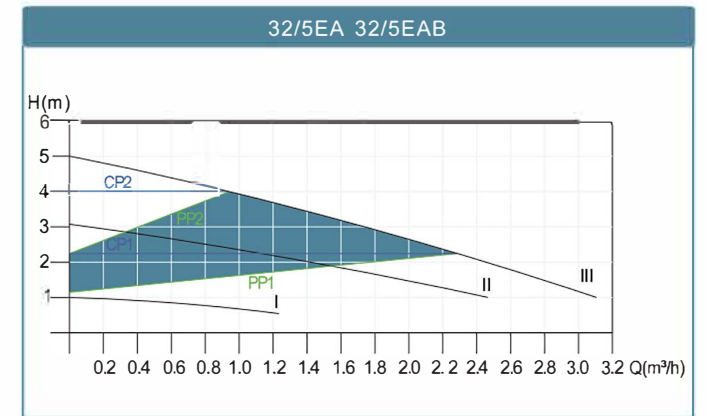
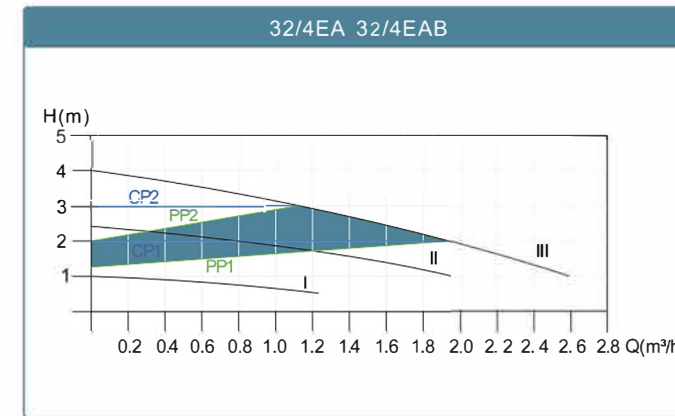
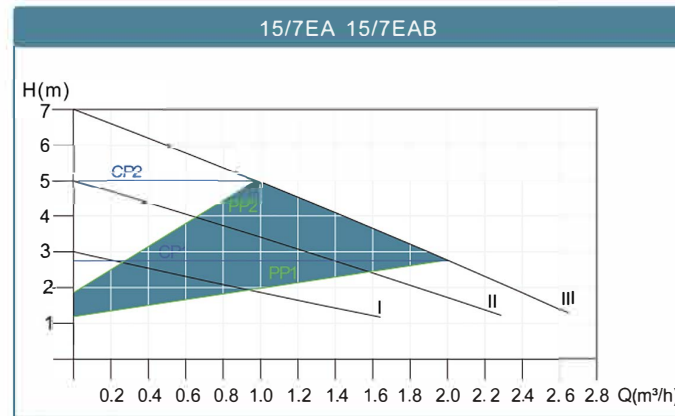
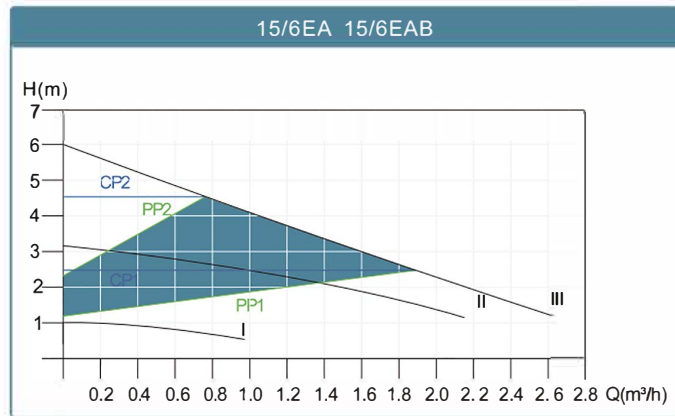
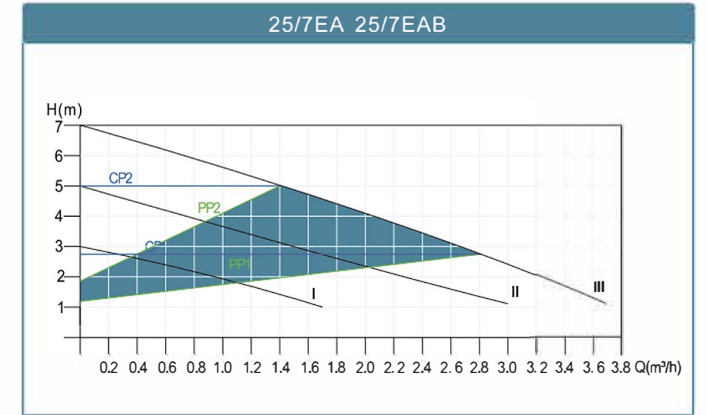
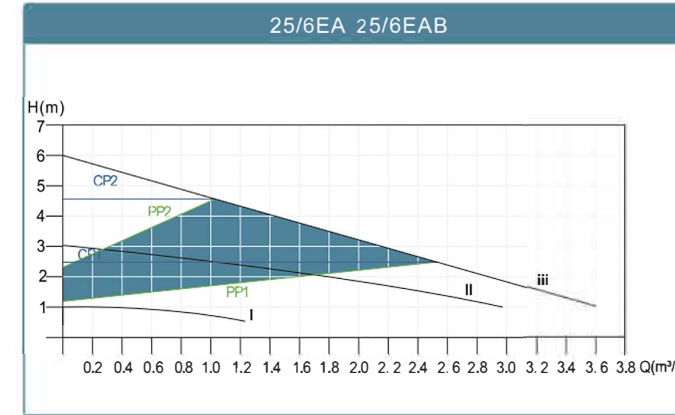
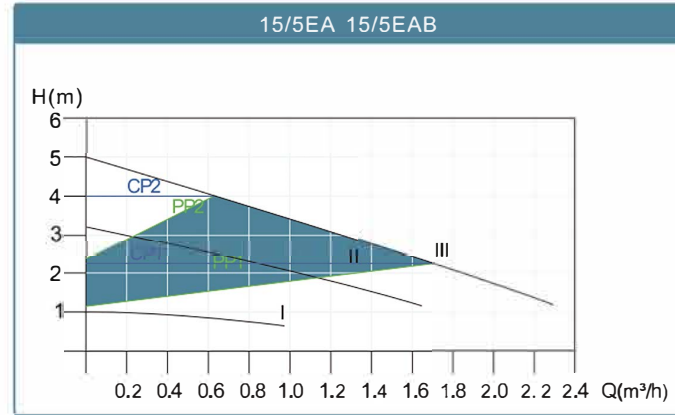
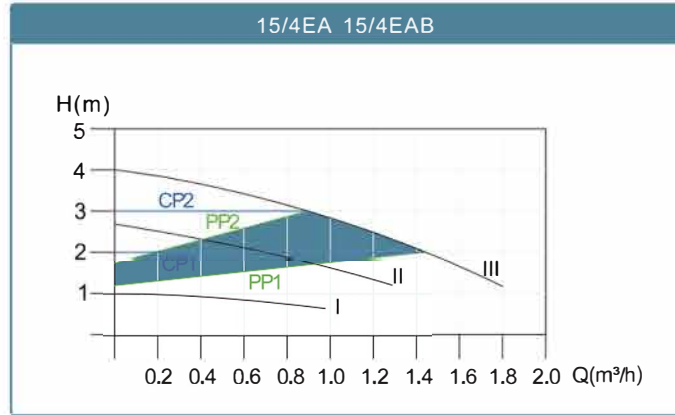


Setting	pump curve	Function
PP1	Lowest proportional-pressure curve	The duty point of the pump will move up or down on the lowest proportional-pressure curve, depending on heating demand. The head (pressure is reduced at falling heating demand and increased at rising heating demand)
PP2	Highest proportional-Pressure curve	The duty point of the pump will move up or down on the highest proportional-pressure curve, depending on heating demand. The head (pressure is reduced at falling heating demand and increased at rising heating demand)
CP1	Lowest constant-Pressure curve	The duty point of the pump will move out or in constant-pressure curve, depending on the heating demand. The head (pressure) is kept constant, irrespective of the heating demand.
CP2	Highest constant-Pressure curve	The duty point of the pump will move out or in constant-pressure curve, depending on the heating demand. The head (pressure) is kept constant, irrespective of the heating demand.
III	Speed III	Pump runs at a constant speed and consequently on a constant curve. In speed III, the pump is set to run on the Max. curve under all operating conditions. Quick venting of the pump can be obtained by setting the pump to speed III for a short period.
II	Speed II	Pump runs at a constant speed and consequently on a constant curve. In speed II, the pump is set to run on the Medium curve under all operating conditions.
I	Speed I	Pump runs at a constant speed and consequently on a constant curve. In speed I, the pump is set to run on the Min. curve under all operating conditions.
AUTO (EX-factory Setting)		Under "AUTO" mode, the power of pump automatically be up or down according to flow of system in certain condition.
night mode		Pump runs select to night mode, after one hour the power automatically down, after two hours, it will be down lowest between 5-10watt, after seven hours, the pump auto mode eliminate and recovery to original condition.

Technical Parameter

Model	Power (W)	Max.Flow (m³/h)	Max.Head (m)	Voltage 220V/50Hz	Mater of pump body				Dimension(mm)							Weight (Kg)	
					Cast Iron	Plastic	Brass	Stainless steel	L1		E2	B1	E2	H1	H2		G
									130	180							
HRS15/4EA		1.8			★		★	★	★		80	155	105	129	101	1"	2.1
HRS25/4EA	5~22	2.6	4	★	★		★		★	★	80	155	105	129	101	1 1/2"	2.3
HRS32/4EA		3			★				★		80	155	105	129	101	2"	2.4
HRS15/5EA		2.3			★		★	★	★		80	155	105	129	101	1"	2.1
HRS25/5EA	5~32	3.1	5	★	★		★		★	★	80	155	105	129	101	1 1/2"	2.3
HRS32/5EA		3.4			★				★		80	155	105	129	101	2"	2.4
HRS15/6EA		2.4			★		★	★	★		80	155	105	129	101	1"	2.1
HRS25/6EA	5~45	3.6	6	★	★		★		★	★	80	155	105	129	101	1 1/2"	2.3
HRS32/6EA		3.6			★				★		80	155	105	129	101	2"	2.4
HRS15/7EA		2.7			★		★	★	★		80	155	105	129	101	1"	2.1
HRS25/7EA	5~47	3.7	7	★	★		★		★	★	80	155	105	129	101	1 1/2"	2.3
HRS32/7EA		3.7			★				★		80	155	105	129	101	2"	2.4

Model	Power (W)	Max.Flow (m³/h)	Max.Head (m)	Voltage 220V/50Hz	Mater of pump body				Dimension(mm)							Weight (Kg)	
					Cast Iron	Plastic	Brass	Stainless steel	L1		L2	B1	H2	H2	H2		G
									130	180							
HRS15/4EAB		1.8			★		★	★	★		106	96	46	165	136	1"	2.1
HRS25/4EAB	5~22	2.6	4	★	★		★		★	★	106	96	46	165	136	1 1/2"	2.3
HRS32/4EAB		3			★				★		106	96	46	165	136	2"	2.5
HRS15/5EAB		2.3			★		★	★	★		106	96	46	165	136	1"	2.1
HRS25/5EAB	5~32	3.1	5	★	★		★		★	★	106	96	46	165	136	1 1/2"	2.3
HRS32/5EAB		3.4			★				★		106	96	46	165	136	2"	2.5
HRS15/6EAB		2.4			★		★	★	★		106	96	46	165	136	1"	2.1
HRS25/6EAB	5~45	3.6	6	★	★		★		★	★	106	96	46	165	136	1 1/2"	2.3
HRS32/6EAB		3.6			★				★		106	96	46	165	136	2"	2.5
HRS15/7EAB		2.7			★		★	★	★		106	96	46	165	136	1"	2.1
HRS25/7EAB	5~47	3.7	7	★	★		★		★	★	106	96	46	165	136	1 1/2"	2.3
HRS32/7EAB		3.7			★				★		106	96	46	165	136	2"	2.5



INTELLIGENT PUMP

INTELLIGENT PUMP